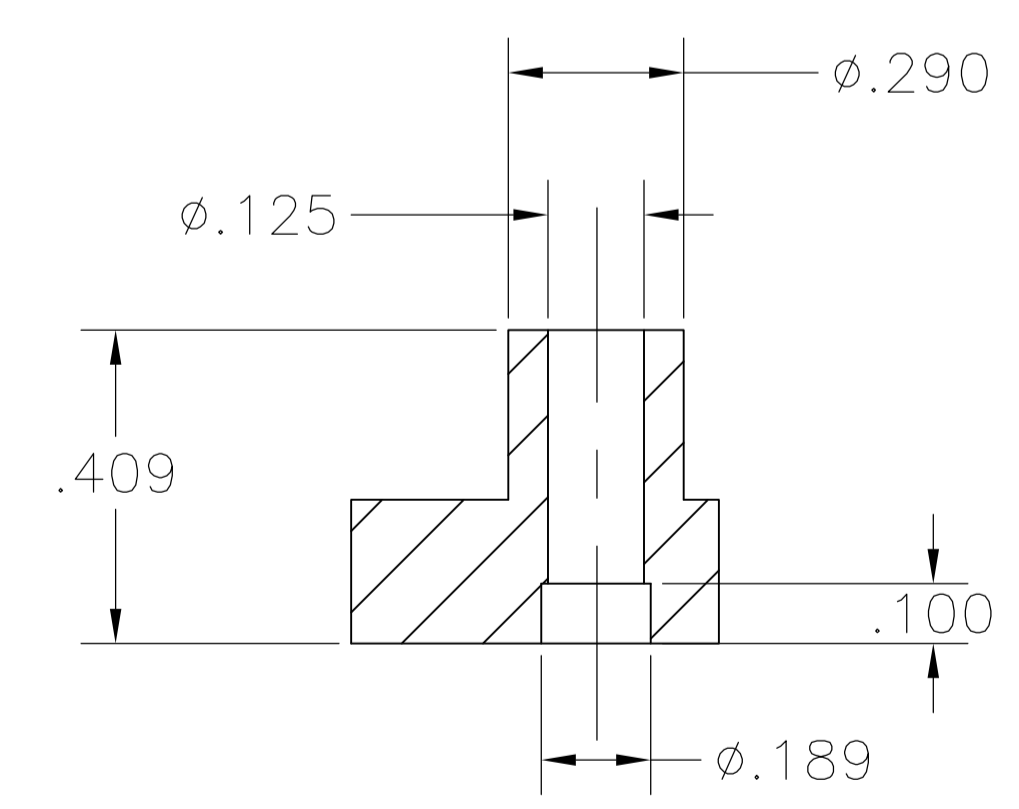
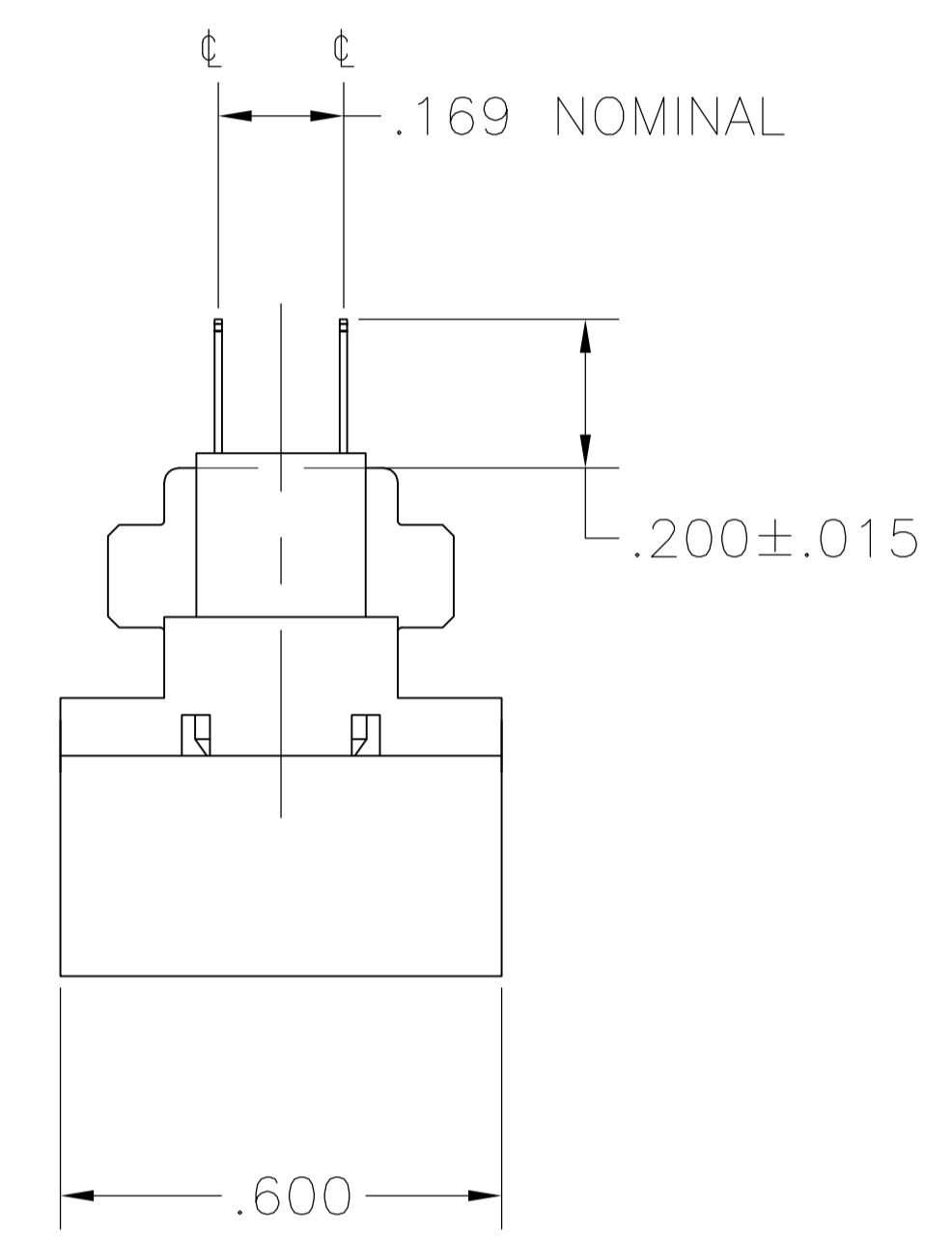


1. THE CONTACT SURFACES OF THE TERMINALS ARE COATED WITH LUBRICANT.
2. ALL DIMENSIONS SHOWN ARE FOR REFERENCE ONLY UNLESS OTHERWISE SPECIFIED.
3. MATERIAL: HOUSING - THERMOPLASTIC, BLACK. TERMINAL - PHOS BRONZE PLATED WITH EITHER .000030 MINIMUM GOLD PLATE OR GOLD FLASH OVER PALLADIUM NICKEL PLATE, .000030 MINIMUM TOTAL ON MATING SURFACE. .000120 MINIMUM TIN-LEAD PLATE ON TAILS OVER .000050 MINIMUM NICKEL UNDERPLATE OVER ENTIRE TERMINAL.



DETAIL A
BOTH ENDS

552209-1
PART NUMBER

THIS DRAWING IS A CONTROLLED DOCUMENT.		DIN Z. REAM 9/MAR/07	Tyco Electronics Corporation Harrisburg, PA 17105-3608	
DIMENSIONS: INCHES		CHK: W. MILLHIMES 9/MAR/07	NAME: PLUG ASSY, 14 POSN, VERT MTG, W/ STANDOFF, CHAMP-LOK	
TOLERANCES UNLESS OTHERWISE SPECIFIED:		APVD: W. MILLHIMES 9/MAR/07	APPLICATION SPEC: -	
0. PLC ± -	1. PLC ± -	SIZE: A1	CAGE CODE: 00779	DRAWING NO: 552209
2. PLC ± -	3. PLC ± -	WEIGHT: -	SCALE: 4:1	SHEET 1 OF 1
4. PLC ± -	ANGLES ± -	CUSTOMER DRAWING		